

CIM (21-548)

*Advanced Manufacturing Laboratory
Department of Industrial Engineering
Sharif University of Technology*

Session # 21



Course Description

▪ *Instructor*

- *Omid Fatahi Valilai, Ph.D. Industrial Engineering Department, Sharif University of Technology*
- *Email: FValilai@sharif.edu, Tel: 6616-5706*
- *Website: Sharif.edu/~fvalilai*

▪ *Class time*

- *Sunday-Tuesday* *09:00-10:30*

▪ *Course evaluation*

- *Mid-term* *(30%)*
- *Final exam* *(50%)*
- *Quiz* *(5%)*
- *Exercise* *(15%)*

Course Description (Continued ...)

- **Mid-term session:**
 - Sunday: 16th Azar 1393, 09:00 ~ 10:30
- **Final Exam:**
 - Tuesday: 30th Dey 1393, 15:00 ~ 17:30
- **Reference:**
 - Schaefer, D., *Cloud-based Design and Manufacturing (CBDM): A Service-Oriented Product Development Paradigm for the 21st Century*, . London: Springer, 2014
 - Koren, Y., *"The Global Manufacturing Revolution"*, Wiley, 2010
 - Nasr, A., *"Computer-Based Design and Manufacturing An Information-Based Approach"*, Springer, 2007
 - Mitchell, F.H., *"CIM Systems: An Introduction to Computer-Integrated Manufacturing"*, Prentice Hall College Div; 1St Edition edition (January 1991), ISBN: 978-0131332997

Advanced Manufacturing Laboratory, Department of Industrial Engineering, Sharif University of Technology
CIM (21548), Session # 21



Course Description (Continued..)

- **Contents:**
 - Globalization and Manufacturing Paradigms (8 sessions)
 - System Concepts (3 sessions)
 - Evolution of Manufacturing systems (2 sessions)
 - Manufacturing System Design (4 sessions)
 - Manufacturing Equipment Design (3 sessions)
 - Information flow in Manufacturing Systems (4 sessions)
 - Product design and Manufacturing System (3 sessions)
 - Manufacturing System Implementation (5 sessions)

Advanced Manufacturing Laboratory, Department of Industrial Engineering, Sharif University of Technology
CIM (21548), Session #1

Course Description (Continued..)

▪ Contents:

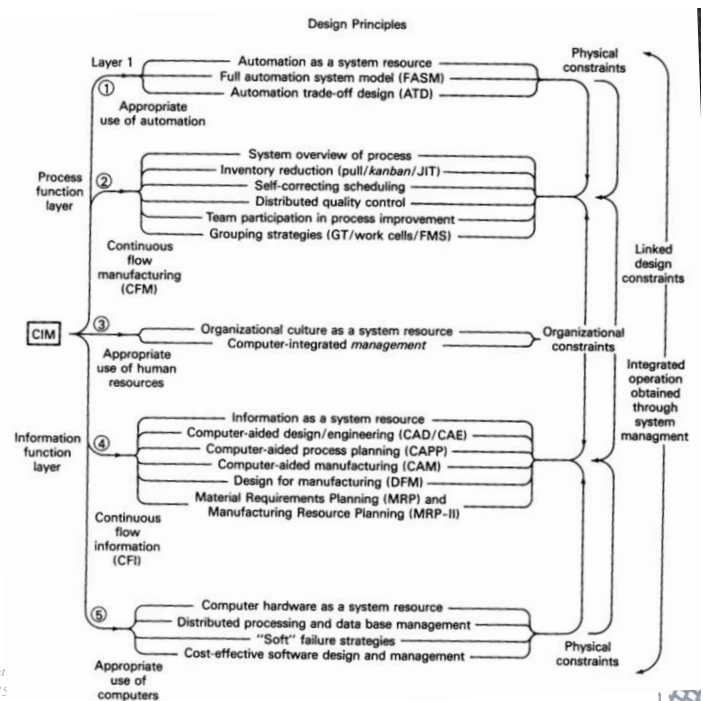
- *Product design and Manufacturing System*
 - *Introduction to Computer-Aided Design and Manufacturing*
 - *Design for Assembly and Manufacturing*
 - *Computer Communication for CAD integration*

(3sessions)

Advanced Manufacturing Laboratory, Department of Industrial Engineering, Sharif University of Technology
CIM (21548), Session #1

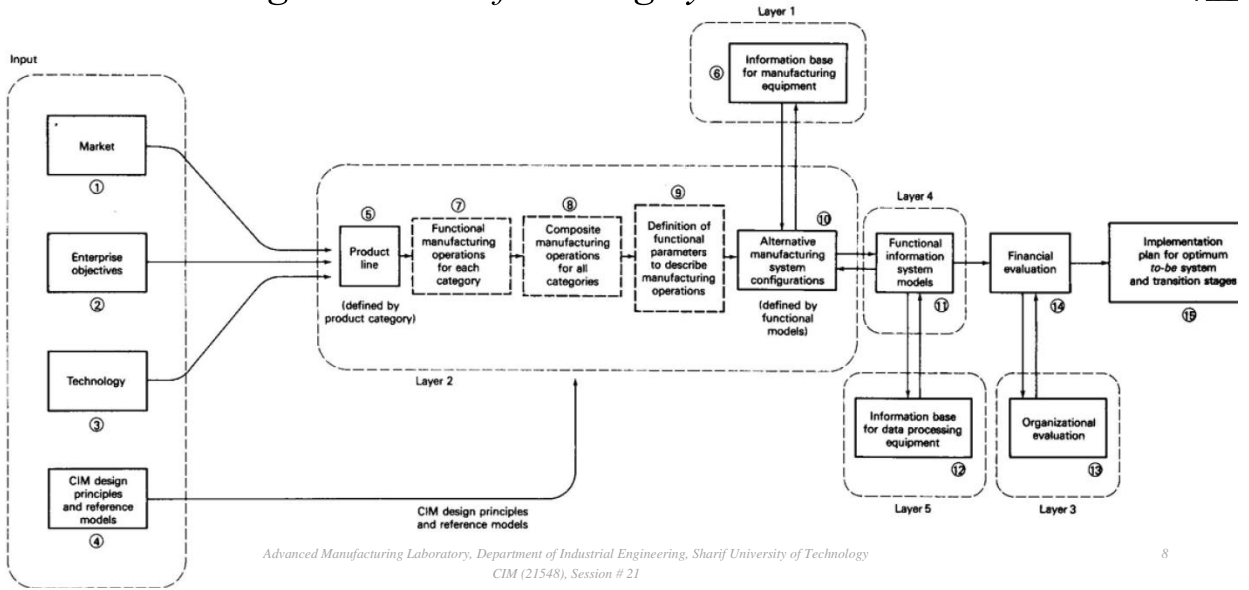
6

Product design and Man

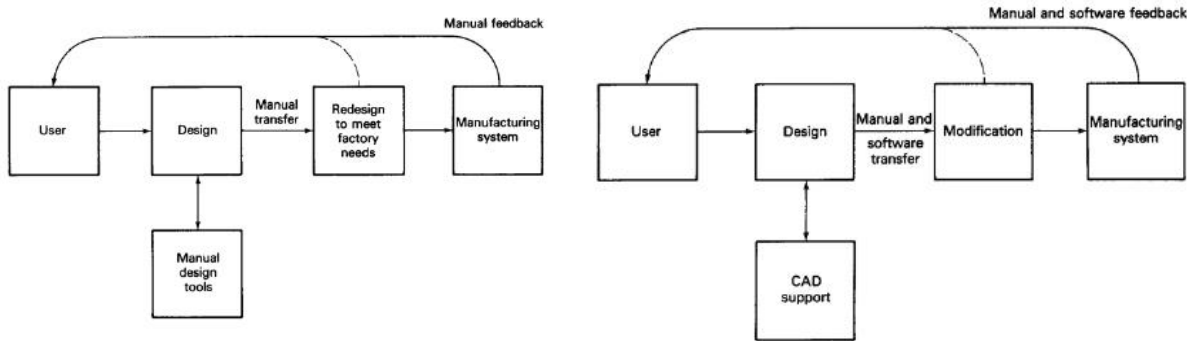


Advanced Manufacturing Laboratory, Department
CIM (215

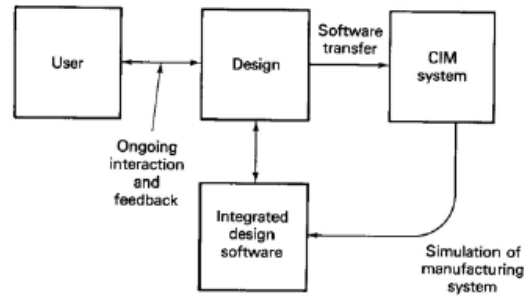
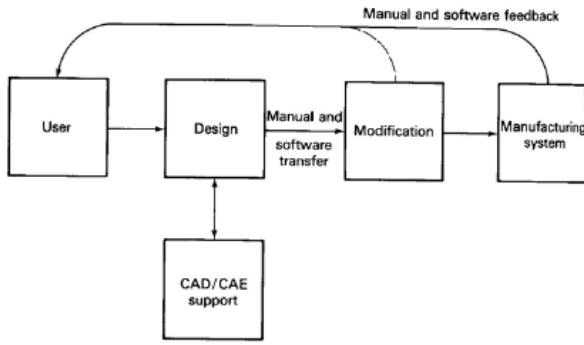
Product design and Manufacturing System



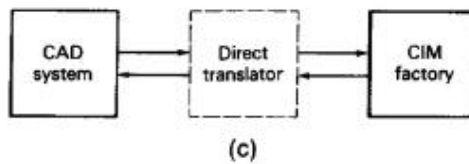
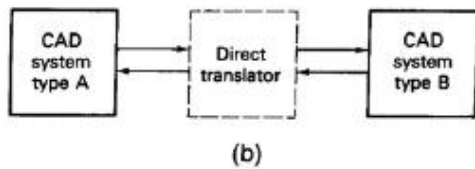
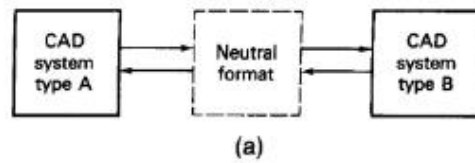
Product design and Manufacturing System



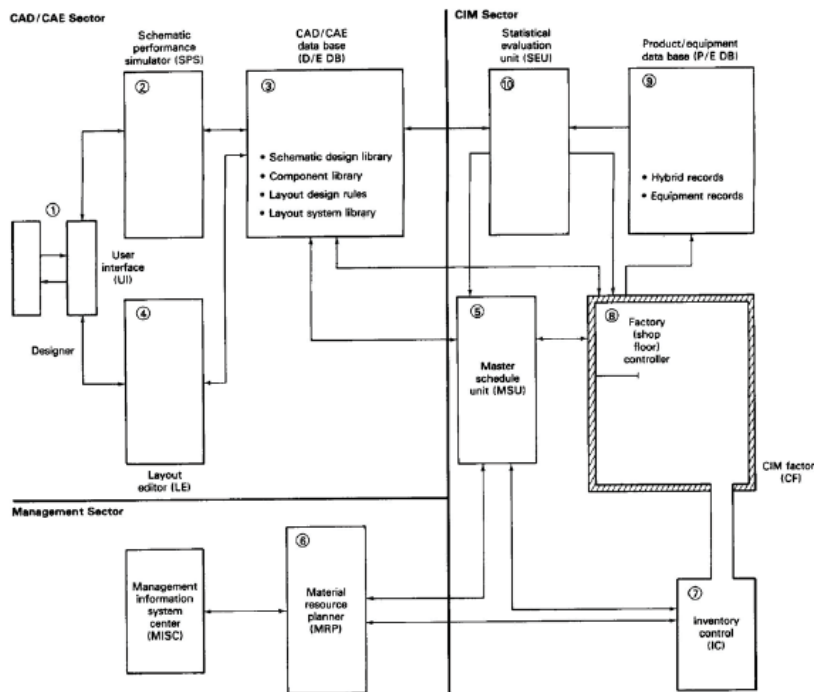
Product design and Manufacturing System



Product design and Manufacturing System

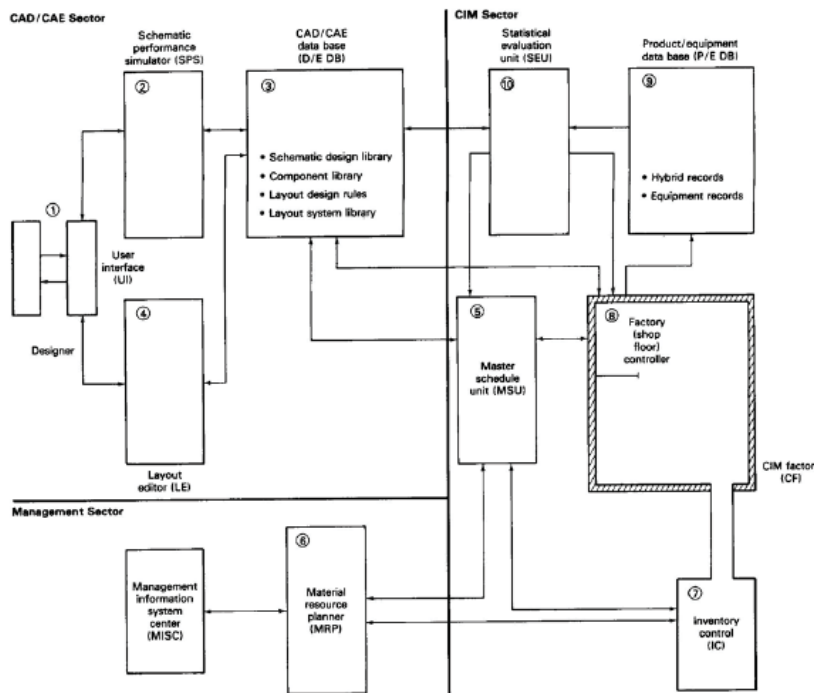


Product design and Manufacturing System



Advanced Manufacturing I

Product design and Manufacturing System



Advanced Manufacturing I